

Lighting Tools Exterior

Chapter 7
Tunnel luminaires

21m

18m

15m

12m

9m

6m

3m



TS 30L
Page 7.20



TS 30F
Page 7.10



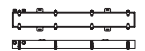
TI 10
Page 7.24



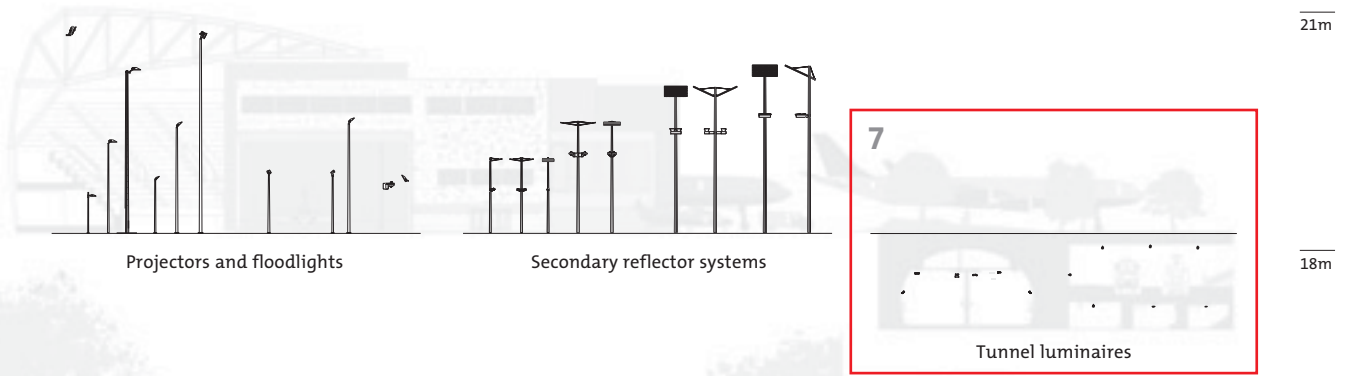
TA 30
Page 7.28



TL 20 LED
Page 7.6



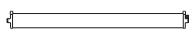
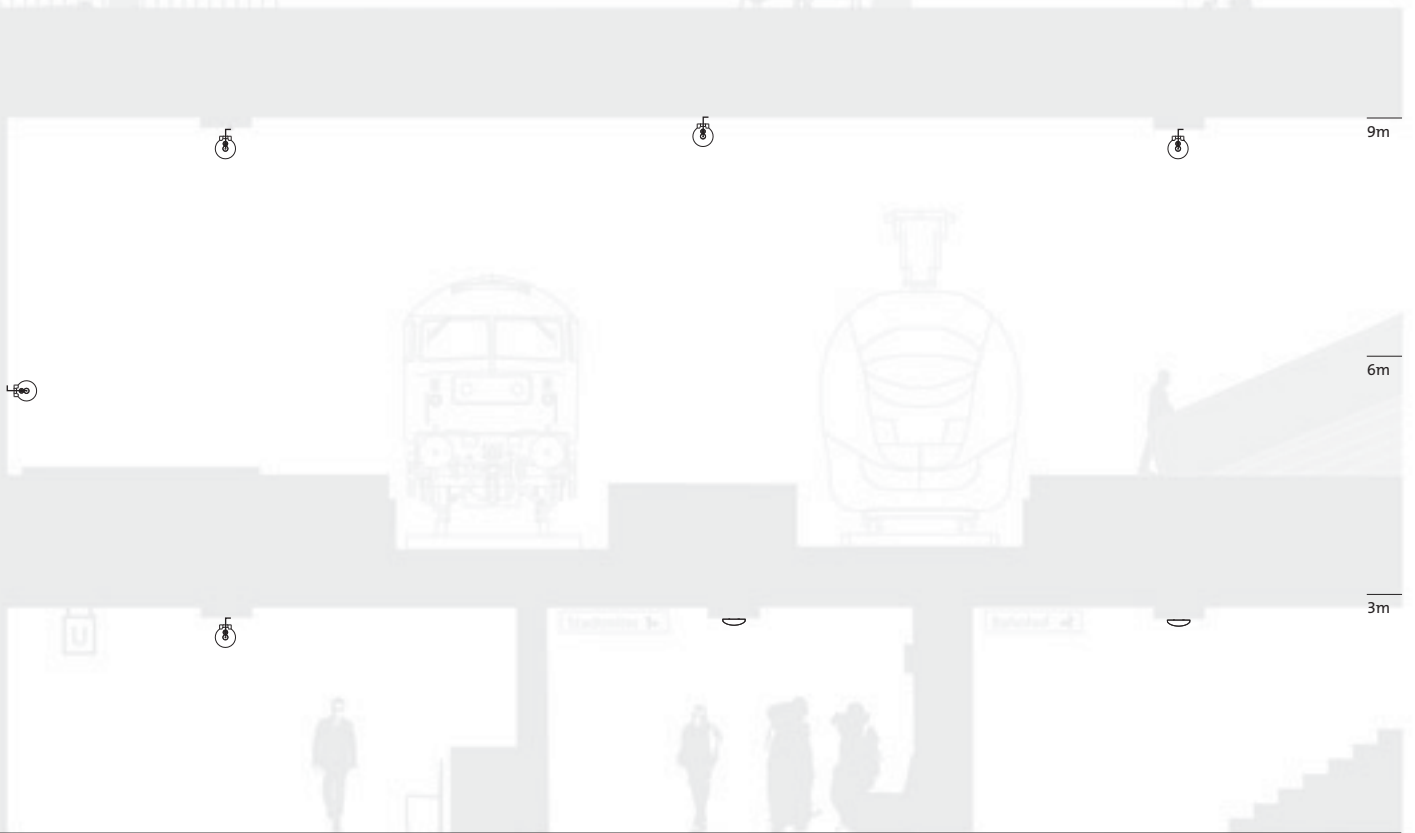
TS 30L
Page 7.20



Projectors and floodlights

Secondary reflector systems

Tunnel luminares



TT 20S
Page 7.32



TV 10
Page 7.36



Tunnel luminaires with LED

TL 20 LED

Page 7.6

Tunnel luminaires for high pressure discharge lamps

TS 30

Page 7.10



TI 10

Page 7.24



TA 30

Page 7.28

Tunnel luminaires for fluorescent lamps

TS 30L

Page 7.20



TT 20S

Page 7.32

Luminaires for underpasses, underground car parks, shelters and tribune areas

TV 10

Page 7.36







TL 20 LED tunnel luminaire

The TL 20 LED tunnel luminaire combines maximum housing quality with efficient LED technology. The result: an outstanding solution for the standard-compliant lighting of tunnels and underpasses. The luminaire fulfills the G6 lighting class as corresponding to DIN 13201/EN 13201-2.

TL 20 LED fulfills these norm specifications due to optics precisely matched to the LED technology. The special optical enclosure of glass and white LEDs with colour temperature of 6000 K and colour rendering of $R_a > 70$ ensure maximum glare limitation and minimised light immission. The optical system consisting of LEDs and efficient attachment lens ensures outstandingly homogeneous light distribution that is not influenced by the possible failure of single LEDs.

Further safety, flexibility and efficiency are enabled by the control functions made available by the microprocessor-controlled LED operating electronics and contained within the Plus and Premium functional packages. These ensure long system service life, efficient luminaire operation, convenient control and extremely long maintenance intervals: according to current supply a system service life of max. 160,000 hours L70/B50 is achieved, and according to application the operating electronics are replaced once after approx. 10 years.

The long system service life is also ensured by the extremely robust housing. All carrying elements made of 1.4571. The use of maximum quality aluminium-magnesium and V4A stainless steel ensures best possible corrosion protection against environmental factors. All-round sealing makes the luminaire resistant against temperature, humidity and ageing. The luminaire thus complies with the high demands of ZTV ING Section 5, requirements class I.



Housing

Housing and mounting accessories of corrosion-resistant stainless steel (1.4571/AISI 316Ti) | resistant to corrosion, largely unaffected by aggressive influences | cover panel of toughened safety glass according to EN 12150-1 | sealing is temperature, humidity and age-resistant against aggressive tunnel conditions | heat sink of aluminium-magnesium (AlMg 2.5), anodised | plastic cable glands for cable infeed of PA-V0 UL94 | luminaire with fixing elements at face ends | mounting via supplementary fixing accessories, luminaire alignment can be adjusted to $\pm 45^\circ$ to the longitudinal axis
 protection rating: IP66 | insulation class: II
 impact resistance: IK10

Electrics

luminaire wired ready for connection | incl. connection cable $l = 0.8\text{m}$; $5 \times 1.5\text{mm}^2$ or $3 \times 1.5\text{mm}^2$ (luminaire for through-wiring with 2 connection cables, $5 \times 2.5\text{mm}^2$; $I_{\text{max}} = 18\text{A}$) | FE 180 circuit integrity, IEC 60331-3-11 and -21, VDE 0473-814 | E 90 functional integrity, DIN VDE 4102-12)

Plus performance package: multi-pole connection cable (2-pole for mains supply + 1-pole for 230V control voltage for power reduction) | luminous flux reduction with negative switching logic; control signal: $U_{\text{St}} = 230\text{V} \rightarrow$ approx. 20% luminous flux; $U_{\text{St}} = 0\text{V} \rightarrow$ 100% luminous flux

Premium TL performance package: 2-pole connection (control and monitoring of the luminaire from a central control point without supplementary control wires; data transmission according to standard LON protocol)

Lighting technology

Wide light distribution for standard-compliant lighting according to DIN EN 13201 | excellent glare reduction and high homogeneity with minimised light immission via LEDs with oval attachment lens and additional light control via structured, flat cover panel | high system efficiency via system-optimised light distribution



- + frame and mounting straps of corrosion-resistant stainless steel, 1.4571/AISI 316Ti
- + etched and passivated surface (electropolished on request)
- + optical enclosure of toughened safety glass according to EN 12150-1
- + heat sink of aluminium-magnesium (AlMg 2.5)

Recommended application

Single luminaire, especially suitable for visual guiding along driving routes, e.g. in areas with high traffic densities





TL 20 | single luminaire with LED

TL 20 tunnel luminaire for surface-mounting, suspended mounting or fixing to tunnel substructure, can be rotated +/-45° to the longitudinal axis | with white LED with lens, symmetric distribution; with flat, structured cover | microprocessor-controlled LED operating electronics; according to version with differing control function for lighting management and monitoring* | housing with mounting straps at face ends of stainless steel 1.4571 (AS1316 Ti); heat sink of anodised aluminium, ALMg 2.5(AW5051A); profile sealing of silicone; cover panel of toughened safety glass (ESG)

Protection rating: IP66

Insulation class: II

Impact resistance: IK10

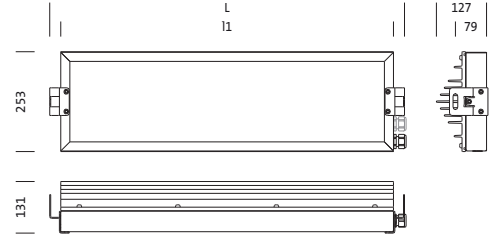
(incl. connection cable, l = 0.8m; with Plus TL version: 5x 1.5mm²; with Premium TL version: 3x 1.5mm² | FE 180 circuit integrity, IEC 60331-3-11 and -21, VDE 0473-814 | E 90 functional integrity, DIN VDE 4102-12)

- luminaire with through-wiring: incl. 2x connection cable, 5x 2.5mm²; I_{max} = 18A

* Plus TL version: with luminous flux constancy over complete service life (configured for maintenance factor 0.8) | luminous flux reduction via 230V control voltage (20%/100% luminous flux)

Premium version: with luminous flux constancy over complete service life | with integrated, programmable timer for luminous flux reduction at two levels | settable luminous flux for max. operation and for both reduction levels | alternative luminous flux reduction via 230V control voltage | for individual monitoring and control of the luminaire from a central control point from any distance via LON PowerLine without supplementary control wire (instead of SDI)

Luminaire can be operated with factory pre-setting, pre-setting with the Plus TL version can be manufacturer-modified, pre-setting with the Premium TL version can be manufacturer-modified or modified at the luminaire



	L	l1
MINI	900	844
MIDI	1400	1344

Lamps	Wt. (kg)	with ECG Plus	with ECG Premium
		Order No.	Order No.
2x LED module cw	14.0	5XA8638ACS5D1	5XA8639ACS1D1
4x LED module cw	21.0	5XA8638BCS5D1	5XA8639BCS1D1

- please order mounting accessories separately
- please order designation panel separately
- please order connection accessories separately if required

Accessories (for details see page 7.9)

Article	Wt. (kg)	Order No.
female connector 10-14mm	0.1	5NY86300X214
female connector 13-18mm	0.1	5NY86300X218
plug connector 10-14mm	0.1	5NY86300X114
plug connector 13-18mm	0.1	5NY86300X118
T-connector	0.2	5NY86300X314
junction box	3.0	5NY86300XAB6
mounting angle bracket, to the ceiling, stainless steel 1.4529	0.6	5NY86300X129
mounting angle bracket, to the ceiling, stainless steel 1.4571	0.6	5NY86300X171
description plate	0.5	5NY86300X0

TL 20 LED electrical accessories

**Plug and socket system**

for connection and through-wiring of tunnel luminaire with pre-installed connection cable* | plug and socket with locking | for cables with diameter D= 10...14mm or 13...18mm | for 0.75...4.0mm² wire cross-section
Protection rating: IP67

* luminaire for single arrangement: with one connection cable | luminaire for through-wiring: with two pre-installed connection cables

Type	Cable D (mm)	Order No.
Plug	10...14	5NY86300X214
Plug	13...18	5NY86300X218
Socket	10...14	5NY86300X114
Socket	10...14	5NY86300X118

• for luminaire with one connection cable please order a plug for D= 10...14mm if required
for luminaire with two connection cables please order a plug and socket for D= 10...14mm if required

**T connector element**

for connection of tunnel luminaire with installed system plug | connection element with one socket, 5-pole, and two cable inputs for manual wiring in connection element | for cables with cross-section D= 10...14mm | for wire cross-section 0.75...1.5mm²
Protection rating: IP67

Type	Order No.
T connector element	5NY86300X314

**Connection box**

as branching element for pre-prepared cables | with one plug and three sockets, 5-pole | wired ready for connection
Protection rating: IP67

Type	Order No.
Connection box	5NY86300XAB6

**Mounting bracket**

for tunnel luminaires with mounting straps at face ends | luminaire can be rotated for precise alignment by $\pm 30^\circ$ or $\pm 45^\circ$ to longitudinal axis (dependent upon luminaire type) | oblong holes and slot for hooking to pre-assembled fastening screws | mounting bracket of stainless steel 1.4529 or 1.4571

Type	PU	Order No.
Mounting bracket		
Stainless steel 1.4529	Set of 2	5NY86300X129
Stainless steel 1.4571	Set of 2	5NY86300X171

• 2 pieces required per luminaire

Type plate (not shown)

for precise naming and assignment of each luminaire | factory inscription according to customer specifications | base element of V4A; inscription plate fastened with 4 screws to base element | engraved inscription | mounting of type plate via fastening screws of luminaire

Type	Order No.
Type plate	5NY86300X0

TL 20 LED mounting accessories

TS 30

The corrosion-resistant housing of 1.4571 stainless steel with special sealing system on one (or two) levels protect the Siteco tunnel luminaire reliably against aggressive ambient conditions in tunnels, in underpasses and in special industrial areas. In addition the luminaire is also resistant to the usual tunnel cleaning methods. The robust frame for the safety glass or frameless cover panel are fixed via four stainless steel brackets. These enable the cover to be simply and quickly opened on both sides along the longitudinal luminaire axis.

The catches are secured via safety clips against unauthorised opening or falling down of the luminaire cover. The luminaire contains a gear tray, replaceable without tools. A wide variety of high-performance HST and HIT lamps are available for lamping as well as various optics. This enables the Siteco tunnel luminaire to be equipped with reflector technology that permits optimal applications in terms of energy and photometrics. This luminaire fulfills nearly all international standards. The luminaire is optimal for a long, economical service life.

- + housing and glass supporting frame of corrosion-resistant stainless steel 1.4571/AISI 316Ti
- + precision specular optics for symmetric and asymmetric light distribution with high light output ratio
- + profile sealing of especially durable material across one or two levels (inner sealing is higher) in the cover frame ensures high protection rating
- + optical enclosure of toughened safety glass according to EN 12150-1
- + service and maintenance advantage due to 2-sided use of gear tray and tool-free replacement of gear tray
- + etched and passivated surface (electropolished on request)



Housing

Housing, frame of glass cover, safety catches and mounting accessories of corrosion-resistant stainless steel (1.4571/AISI 316Ti) | resistant to corrosion, largely unaffected by aggressive influences | cover panel of toughened safety glass according to EN 12150-1 | sealing on one or two levels (according to version), temperature-, humidity- and age-resistant against aggressive tunnel atmospheres | plastic cable glands for cable infeed of PA-V0 UL94 | cover can be opened on both sides, remains fixed to luminaire housing when folded down | gear tray with all electrical components can be folded out without tools and replaced with ease | luminaire with longitudinally welded mounting straps or with mounting elements at face ends | mounting at face ends via supplementary fixing accessories, luminaire alignment can be adjusted at +/-30° to the longitudinal axis | protection rating: IP66, 6bar (product version TS 30F); IP65 or IP66 (TS 30S version) | impact resistance: IK09

Electrics

Luminaires wired ready for connection | single lamp luminaire with 5-pole connection terminal, max. 10mm² | 2x M32 cable entry for cables D= 18...25mm | M25 fixed cover with blanking plugs single lamp luminaire for reduced operation with 8-pole terminal (5-pole + 3-pole for control signal), max. 10mm² | 2x M32 cable entry for cables D= 18...25mm | 2 x M25 cable gland for cables D= 9...16mm | twin lamp luminaire for reduced operation with 14-pole terminal (2x 5-pole + 2x 2-pole for control signal), max. 10mm² | 4x M32 cable entry for cables D= 18...25mm | with conventional ballast, with parallel p.f. correction (with mounted capacitor) | ballasts with thermal monitoring; ignitors with automatic power disconnection; reducing circuit with negative switching logic | micro-fuse (T6,3A/250V)-40°C/+85°C according to DIN EN 60127-6, DIN EN 60127-1; nominal power consumption P_s ≤ 4W bei 16A | suitable for through-wiring from luminaire to luminaire

Lighting technology

Precision specular optics with high light output ratio

- direct symmetrical wide distribution
- direct asymmetrical distribution

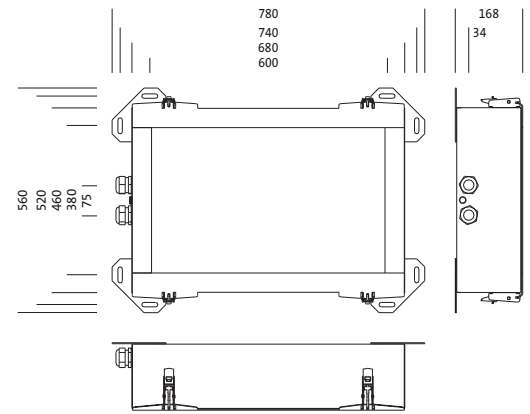
Recommended application

Tunnels with high traffic loads



TS 30F | for high pressure discharge lamps | cover with frame | with double sealing | symmetric distribution

TS 30F tunnel luminaire for surface-mounting, suspended mounting or fixing to tunnel substructure | direct symmetric wide distribution | with conv. ballast, parallel p. f. corrected* | housing with mounting straps, frame of glass cover and catches of stainless steel 1.4571 (AS1316 Ti); profile sealing on two levels; cover panel of toughened safety glass (ESG)



Protection rating: IP66, 6bar

Insulation class: I

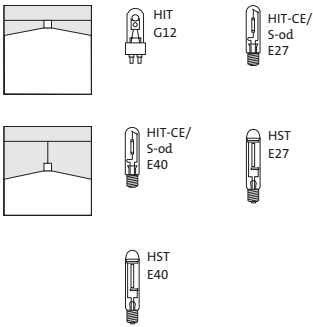
Impact resistance: IK09

(luminaire with welded universal straps, can be mounted longitudinally or at face ends)

On request:

- pivotable through +/-30° along longitudinal axis
- luminaire designed according to RVS 09.02.41

* luminaire with internal micro-fuse (T6,3A/250V)-40°C/+85°C according to DIN EN 60127-6, DIN EN 60127-1; nominal power consumption P_s ≤ 4W at 16A



Lamps	Socket	Lamps 2	Socket 2	Wt. (kg)	Order No.
symmetric distribution, with specular reflector, type H					
2x HIT 100W	G12			20.8	5NA851D2AH0NW
2x HIT 150W	G12			21.3	5NA851D2BH0NW
1x HIT-CE/S-od 250W	E40			20.8	5NA851D1RH0NW
1x HST 250W	E40			20.8	5NA851D1SH0NW
1x HST 400W	E40			22.4	5NA851D1TH0NW
1x HST HIT-CE/S-od 50W	E27	1x HST/HIT-CE/S-od 70W	E27	20.6	5NA851D21H0NW
1x HST HIT-CE/S-od 70W	E27			18.8	5NA851D1MH0NW
1x HST HIT-CE/S-od 70W	E27	1x HST/HIT-CE/S-od 100W	E40	20.8	5NA851D22H0NW
1x HST HIT-CE/S-od 100W	E40			18.8	5NA851D1NH0NW
1x HST HIT-CE/S-od 150W	E40			19.2	5NA851D1PH0NW
2x HST HIT-CE/S-od 70W	E27			20.9	5NA851D2MH0NW
2x HST HIT-CE/S-od 100W	E40			21.1	5NA851D2NH0NW

symmetric distribution, with specular reflector, type S					
2x HIT 100W	G12			20.8	5NA851D2AS0NW
2x HIT 150W	G12			21.3	5NA851D2BS0NW
1x HIT-CE/S-od 250W	E40			20.4	5NA851D1RS0NW
1x HST 250W	E40			20.4	5NA851D1SS0NW
1x HST 400W	E40			22.0	5NA851D1TS0NW
1x HST HIT-CE/S-od 50W	E27	1x HST/HIT-CE/S-od 70W	E27	20.6	5NA851D21S0NW
1x HST HIT-CE/S-od 70W	E27			18.2	5NA851D1MS0NW
1x HST HIT-CE/S-od 70W	E27	1x HST/HIT-CE/S-od 100W	E40	20.8	5NA851D22S0NW
1x HST HIT-CE/S-od 100W	E40			18.4	5NA851D1NS0NW
1x HST HIT-CE/S-od 150W	E40			18.8	5NA851D1PS0NW
2x HST HIT-CE/S-od 70W	E27			20.9	5NA851D2MS0NW
2x HST HIT-CE/S-od 100W	E40			21.1	5NA851D2NS0NW

- please order designation panel separately

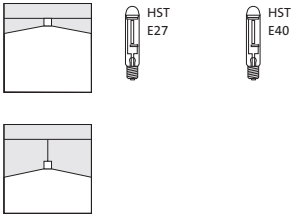
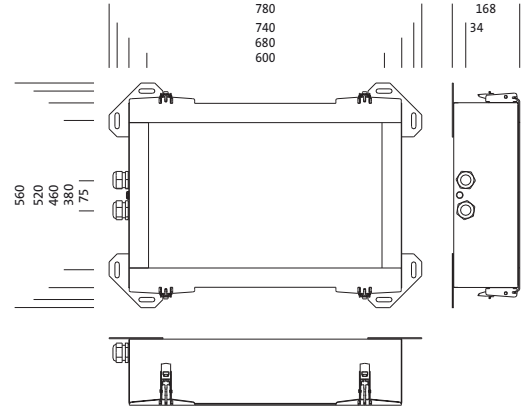
Accessories (for details see page 7.19)

Article	Wt. (kg)	Order No.
description plate	0.1	5NY8000X0



TS 30F | for high pressure discharge lamps | cover with frame | with double sealing | symmetric distribution | with reducing circuit

TS 30F tunnel luminaire for surface-mounting, suspended mounting or fixing to tunnel substructure | direct symmetric wide distribution | with conv. ballast, parallel p. f. corrected, with power reduction* | housing with mounting straps, frame of glass cover and catches of stainless steel 1.4571 (ASI316 Ti); profile sealing on two levels; cover panel of toughened safety glass (ESG)



Protection rating: IP66, 6bar
 Insulation class: I
 Impact resistance: IK09
 (luminaire with welded universal straps, can be mounted longitudinally or at face ends)

- On request:
- pivotable through +/-30° along longitudinal axis
 - luminaire designed according to RVS 09.02.41

* luminaire with internal micro-fuse (T6,3A/250V)-40°C/+85°C according to DIN EN 60127-6, DIN EN 60127-1; nominal power consumption P_s 4W at 16A



Lamps	Socket	Lamps 2	Socket 2	Wt. (kg)	with Reduction circuit Order No.
symmetric distribution, with specular reflector, type H					
1x HST 50W	E27	1x HST 70W	E27	20.6	5NA851D21H3NW
1x HST 70W	E27			16.8	5NA851D1MH1NW
1x HST 70W	E27	1x HST 100W	E40	21.2	5NA851D22H3NW
1x HST 70W	E27	1x HST 70W	E27	21.0	5NA851D2MH3NW
1x HST 100W	E40			18.9	5NA851D1NH1NW
1x HST 100W	E40	1x HST 100W	E40	21.6	5NA851D2NH3NW
1x HST 150W	E40			19.3	5NA851D1PH1NW
1x HST 250W	E40			20.9	5NA851D1SH1NW
1x HST 400W	E40			22.5	5NA851D1TH1NW

symmetric distribution, with specular reflector, type S					
1x HST 50W	E27	1x HST 70W	E27	20.4	5NA851D21S3NW
1x HST 70W	E27			16.4	5NA851D1MS1NW
1x HST 70W	E27	1x HST 100W	E40	20.8	5NA851D22S3NW
1x HST 70W	E27	1x HST 70W	E27	21.0	5NA851D2MS3NW
1x HST 100W	E40			18.5	5NA851D1NS1NW
1x HST 100W	E40	1x HST 100W	E40	21.6	5NA851D2NS3NW
1x HST 150W	E40			18.9	5NA851D1PS1NW
1x HST 250W	E40			20.5	5NA851D1SS1NW
1x HST 400W	E40			22.1	5NA851D1TS1NW

- luminaire with reducing circuit: reduced operation for one lamp | with equipping with various wattages: reduced operation for the lamp with lower wattage
 - please order designation panel separately

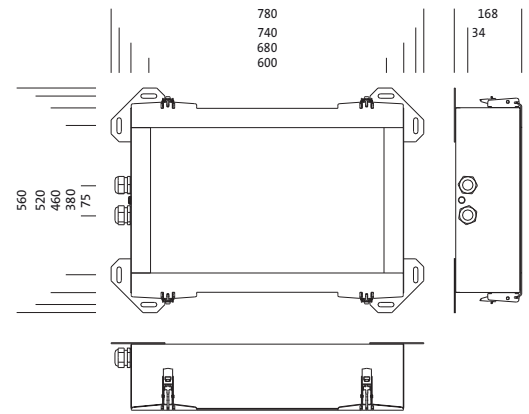
Accessories (for details see page 7.19)

Article	Wt. (kg)	Order No.
description plate	0.1	5NY80000X0



TS 30F | for high pressure discharge lamps | cover with frame | with double sealing | asymmetric distribution

TS 30F tunnel luminaire for surface-mounting, suspended mounting or fixing to tunnel substructure | direct asymmetric wide distribution | with conv. ballast, parallel p. f. corrected, according to version with power reduction* | housing with mounting straps, frame of glass cover and catches of stainless steel 1.4571 (ASi316 Ti); profile sealing on two levels; cover panel of toughened safety glass (ESG)



Protection rating: IP66, 6bar

Insulation class: I

Impact resistance: IK09

(luminaire with welded universal straps, can be mounted longitudinally or at face ends)

On request:

- pivotable through +/-30° along longitudinal axis

- luminaire designed according to RVS 09.02.41

* luminaire with internal micro-fuse (T6,3A/250V)-40°/+85° according to DIN EN 60127-6, DIN EN 60127-1; nominal power consumption P₂ 4W at 16A



with Reduction circuit

Lamps	Socket	Wt. (kg)	Order No.	Order No.
asymmetric distribution, with specular reflector, type 3				
1x HST 100W	E40	18.5		5NA851D1N31NW
1x HST 150W	E40	18.9		5NA851D1P31NW
1x HST 250W	E40	20.5	5NA851D1S30NW	5NA851D1S31NW
1x HST 400W	E40	22.2	5NA851D1T30NW	5NA851D1T31NW
1x HST HIT-CE/S-od 100W	E40	18.4	5NA851D1N30NW	
1x HST HIT-CE/S-od 150W	E40	18.8	5NA851D1P30NW	

asymmetric distribution, with specular reflector, type A

1x HST 100W	E40	18.4		5NA851D1NA1NW
1x HST 150W	E40	18.8		5NA851D1PA1NW
1x HST 250W	E40	20.4	5NA851D1SA0NW	5NA851D1SA1NW
1x HST 400W	E40	22.1	5NA851D1TA0NW	5NA851D1TA1NW
1x HST HIT-CE/S-od 100W	E40	18.3	5NA851D1NA0NW	
1x HST HIT-CE/S-od 150W	E40	18.7	5NA851D1PA0NW	

- please order designation panel separately

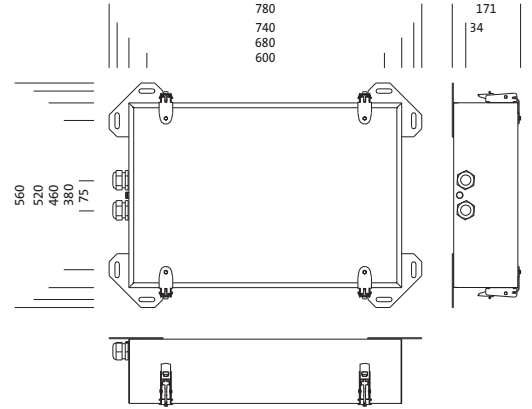
Accessories (for details see page 7.19)

Article	Wt. (kg)	Order No.
description plate	0.1	5NY80000X0



TS 305 | for high pressure discharge lamps | cover without frame | symmetric distribution

TS 305 tunnel luminaire for surface-mounting, suspended mounting or fixing to tunnel substructure | direct symmetric wide distribution | with conv. ballast, parallel p. f. corrected* | housing with mounting straps and cover catches of stainless steel 1.4571 (AISI316 Ti); sealing on one level; frameless cover of toughened safety glass



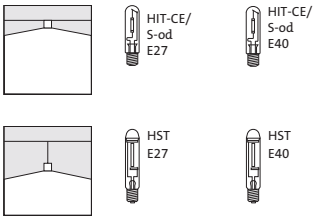
Protection rating: IP65 (IP66 on request)

Insulation class: I

Impact resistance: IK10

(luminaire with welded universal straps, can be mounted longitudinally or at face ends)

* luminaire with internal micro-fuse (T6,3A/250V)-40°C/+85°C according to DIN EN 60127-6, DIN EN 60127-1; nominal power consumption P_s 4W at 16A



Lamps	Socket	Lamps 2	Socket 2	Wt. (kg)	Order No.
symmetric distribution, with specular reflector, type 8					
1x HST 250W	E40			19.0	5NA854D1S80NW
1x HST 400W	E40			20.6	5NA854D1T80NW
1x HST HIT-CE/S-od 70W	E27			16.7	5NA854D1M80NW
1x HST HIT-CE/S-od 100W	E40			16.9	5NA854D1N80NW
1x HST HIT-CE/S-od 150W	E40			17.4	5NA854D1P80NW

symmetric distribution, with specular reflector, type H					
1x HST 250W	E40			19.0	5NA854D1SH0NW
1x HST 400W	E40			20.6	5NA854D1TH0NW
1x HST HIT-CE/S-od 50W	E27	1x HST/HIT-CE/S-od 70W	E27	18.9	5NA854D21H0NW
1x HST HIT-CE/S-od 70W	E27	1x HST/HIT-CE/S-od 100W	E40	19.3	5NA854D22H0NW
1x HST HIT-CE/S-od 100W	E40			16.9	5NA854D1NH0NW
1x HST HIT-CE/S-od 150W	E40			17.4	5NA854D1PH0NW
2x HST HIT-CE/S-od 70W	E27			19.1	5NA854D2MH0NW
2x HST HIT-CE/S-od 100W	E40			19.7	5NA854D2NH0NW

symmetric distribution, with specular reflector, type S					
1x HST 250W	E40			18.6	5NA854D1SS0NW
1x HST 400W	E40			20.2	5NA854D1TS0NW
1x HST HIT-CE/S-od 50W	E27	1x HST/HIT-CE/S-od 70W	E27	18.5	5NA854D21S0NW
1x HST HIT-CE/S-od 70W	E27	1x HST/HIT-CE/S-od 100W	E40	18.9	5NA854D22S0NW
1x HST HIT-CE/S-od 100W	E40			16.5	5NA854D1NS0NW
1x HST HIT-CE/S-od 150W	E40			17.0	5NA854D1PS0NW
2x HST HIT-CE/S-od 70W	E27			19.1	5NA854D2MS0NW
2x HST HIT-CE/S-od 100W	E40			19.7	5NA854D2NS0NW

- please order designation panel separately

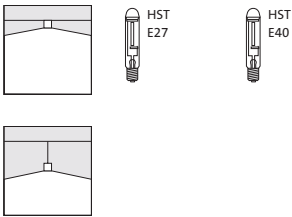
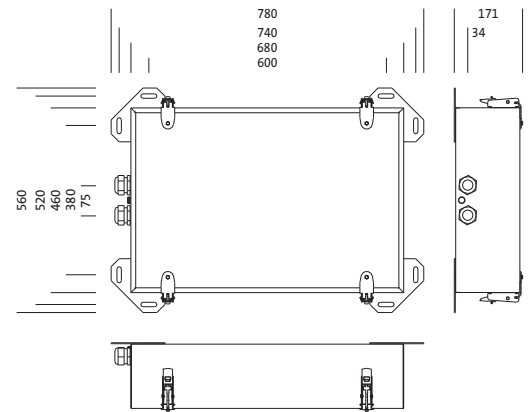
Accessories (for details see page 7.19)

Article	Wt. (kg)	Order No.
description plate	0.1	5NY80000X0



TS 305 | for high pressure discharge lamps | cover without frame | symmetric distribution | with reducing circuit

TS 305 tunnel luminaire for surface-mounting, suspended mounting or fixing to tunnel substructure | direct symmetric wide distribution | with conv. ballast, parallel p. f. corrected, with power reduction* | housing with mounting straps and cover catches of stainless steel 1.4571 (ASI316 Ti); sealing on one level; frameless cover of toughened safety glass



Protection rating: IP65 (IP66 on request)

Insulation class: I

Impact resistance: IK10

(luminaire with welded universal straps, can be mounted longitudinally or at face ends)

* luminaire with internal micro-fuse (T6,3A/250V)-40°C/+85°C according to DIN EN 60127-6, DIN EN 60127-1; nominal power consumption P_s 4W at 16A



Lamps	Socket	Lamps 2	Socket 2	Wt. (kg)	with Reduction circuit Order No.
symmetric distribution, with specular reflector, type 8					
1x HST 70W	E27			16.8	5NA854D1M81NW
1x HST 100W	E40			17.0	5NA854D1N81NW
1x HST 150W	E40			17.5	5NA854D1P81NW
1x HST 250W	E40			19.1	5NA854D1S81NW
1x HST 400W	E40			20.7	5NA854D1T81NW
symmetric distribution, with specular reflector, type H					
1x HST 50W	E27	1x HST 70W	E27	19.0	5NA854D21H3NW
1x HST 70W	E27	1x HST 100W	E40	19.4	5NA854D22H3NW
1x HST 70W	E27	1x HST 70W	E27	19.2	5NA854D2MH3NW
1x HST 100W	E40			17.0	5NA854D1NH1NW
1x HST 100W	E40	1x HST 100W	E40	19.8	5NA854D2NH3NW
1x HST 150W	E40			17.5	5NA854D1PH1NW
1x HST 250W	E40			19.1	5NA854D1SH1NW
1x HST 400W	E40			20.7	5NA854D1TH1NW
symmetric distribution, with specular reflector, type S					
1x HST 50W	E27	1x HST 70W	E27	18.6	5NA854D21S3NW
1x HST 70W	E27	1x HST 100W	E40	19.0	5NA854D22S3NW
1x HST 70W	E27	1x HST 70W	E27	19.2	5NA854D2MS3NW
1x HST 100W	E40			16.6	5NA854D1NS1NW
1x HST 100W	E40	1x HST 100W	E40	19.8	5NA854D2NS3NW
1x HST 150W	E40			17.1	5NA854D1PS1NW
1x HST 250W	E40			18.7	5NA854D1SS1NW
1x HST 400W	E40			20.3	5NA854D1TS1NW

- luminaire with reducing circuit: reduced operation for one lamp | with equipping with various wattages: reduced operation for the lamp with lower wattage
- please order designation panel separately

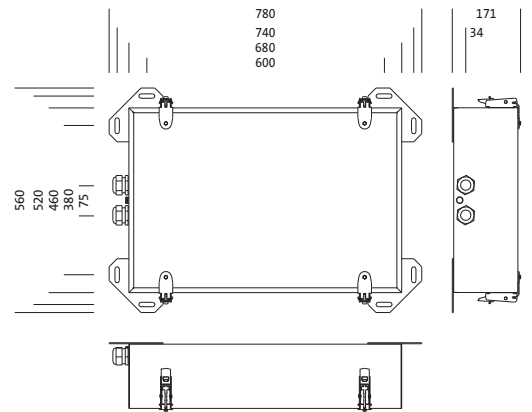
Accessories (for details see page 7.19)

Article	Wt. (kg)	Order No.
description plate	0.1	5NY80000X0



TS 305 | for high pressure discharge lamps | cover without frame | asymmetric distribution

TS 305 tunnel luminaire for surface-mounting, suspended mounting or fixing to tunnel substructure | direct asymmetric wide distribution | with conv. ballast, parallel p. f. corrected, according to version with power reduction* | housing with mounting straps and cover catches of stainless steel 1.4571 (AS1316 Ti); sealing on one level; frameless cover of toughened safety glass



Protection rating: IP65 (IP66 on request)

Insulation class: I

Impact resistance: IK10

(luminaire with welded universal straps, can be mounted longitudinally or at face ends)

* luminaire with internal micro-fuse (T6,3A/250V)-40°C/+85°C according to DIN EN 60127-6, DIN EN 60127-1; nominal power consumption P_s 4W at 16A



Lamps	Socket	Wt. (kg)	Order No.	with Reduction circuit Order No.
asymmetric distribution, with specular reflector, type 3				
1x HST 100W	E40	16.6		5NA854D1N31NW
1x HST 150W	E40	17.1		5NA854D1P31NW
1x HST 250W	E40	18.7	5NA854D1S30NW	5NA854D1S31NW
1x HST 400W	E40	20.3	5NA854D1T30NW	5NA854D1T31NW
1x HST HIT-CE/S-od 100W	E40	16.5	5NA854D1N30NW	
1x HST HIT-CE/S-od 150W	E40	17.0	5NA854D1P30NW	

asymmetric distribution, with specular reflector, type A				
1x HST 100W	E40	16.5		5NA854D1NA1NW
1x HST 150W	E40	17.0		5NA854D1PA1NW
1x HST 250W	E40	18.6	5NA854D1SA0NW	5NA854D1SA1NW
1x HST 400W	E40	20.2	5NA854D1TA0NW	5NA854D1TA1NW
1x HST HIT-CE/S-od 100W	E40	16.4	5NA854D1NA0NW	
1x HST HIT-CE/S-od 150W	E40	16.9	5NA854D1PA0NW	

- please order designation panel separately

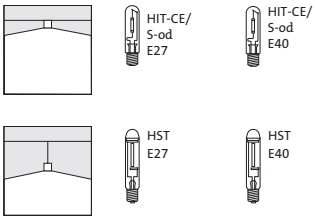
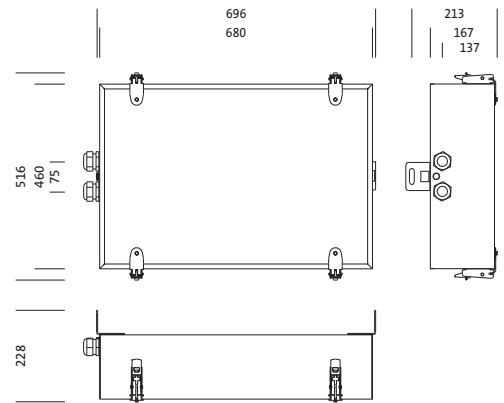
Accessories (for details see page 7.19)

Article	Wt. (kg)	Order No.
description plate	0.1	5NY80000X0



TS 305 | for high pressure discharge lamps | cover without frame | symmetric distribution | rotatable housing

TL 305 tunnel luminaire for surface-mounting, suspended mounting or fixing to tunnel substructure, can be rotated +/-30° to the longitudinal axis | direct symmetric wide distribution | with conv. ballast, parallel p. f. corrected, according to version with power reduction* | housing with mounting straps at face ends and cover catches of stainless steel 1.4571 (AS1316 Ti); sealing on one level; frameless cover of toughened safety glass



Protection rating: IP65 (IP66 on request)

Insulation class: I

Impact resistance: IK10

* luminaire with internal micro-fuse (T6,3A/250V)-40°C/+85°C according to DIN EN 60127-6, DIN EN 60127-1; nominal power consumption P_s 4W at 16A



Lamps	Socket	Wt. (kg)	Order No.	with Reduction circuit Order No.
symmetric distribution, with specular reflector, type 8				
1x HST 70W	E27	16.5		5NA854D1M81NR
1x HST 100W	E40	16.7		5NA854D1N81NR
1x HST 150W	E40	17.2		5NA854D1P81NR
1x HST HIT-CE/S-od 70W	E27	16.4	5NA854D1M80NR	
1x HST HIT-CE/S-od 100W	E40	16.6	5NA854D1N80NR	
1x HST HIT-CE/S-od 150W	E40	17.1	5NA854D1P80NR	
symmetric distribution, with specular reflector, type H				
1x HST 70W	E27	16.5		5NA854D1MH1NR
1x HST 100W	E40	16.7		5NA854D1NH1NR
1x HST 150W	E40	17.2		5NA854D1PH1NR
1x HST HIT-CE/S-od 70W	E27	16.4	5NA854D1MH0NR	
1x HST HIT-CE/S-od 100W	E40	16.6	5NA854D1NH0NR	
1x HST HIT-CE/S-od 150W	E40	17.1	5NA854D1PH0NR	
symmetric distribution, with specular reflector, type S				
1x HST 70W	E27	16.1		5NA854D1MS1NR
1x HST 100W	E40	16.3		5NA854D1NS1NR
1x HST 150W	E40	16.8		5NA854D1PS1NR
1x HST HIT-CE/S-od 70W	E27	16.0	5NA854D1MS0NR	
1x HST HIT-CE/S-od 100W	E40	16.2	5NA854D1NS0NR	
1x HST HIT-CE/S-od 150W	E40	16.7	5NA854D1PS0NR	

-please order mounting accessories and designation panel separately

Accessories (for details see page 7.19)

Article	Wt. (kg)	Order No.
mounting angle bracket, to the ceiling, stainless steel 1.4529	0.6	5NY86300X129
mounting angle bracket, to the ceiling, stainless steel 1.4571	0.6	5NY86300X171
description plate	0.1	5NY80000X0

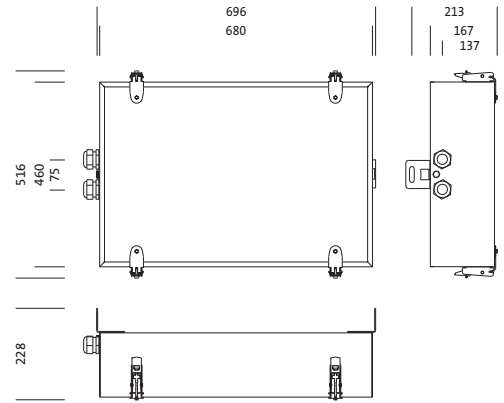


TS 305 | for high pressure discharge lamps | cover without frame | asymmetric distribution | rotatable housing

TL 305 tunnel luminaire for surface-mounting, suspended mounting or fixing to tunnel substructure, can be rotated +/-30° to the longitudinal axis | direct asymmetric wide distribution | with conv. ballast, parallel p. f. corrected, according to version with power reduction* | housing with mounting straps at face ends and cover catches of stainless steel 1.4571 (AS1316 Ti); sealing on one level; frameless cover of toughened safety glass

Protection rating: IP65 (IP66 on request)
 Insulation class: I
 Impact resistance: IK10

* luminaire with internal micro-fuse (T6,3A/250V)-40°C/+85°C according to DIN EN 60127-6, DIN EN 60127-1; nominal power consumption P_s ≤ 4W at 16A



Lamps	Socket	Wt. (kg)	Order No.	with Reduction circuit Order No.
asymmetric distribution, with specular reflector, type 3				
1x HST 100W	E40	16.3		5NA854D1N31NR
1x HST 150W	E40	16.8		5NA854D1P31NR
1x HST 250W	E40	18.4	5NA854D1S30NR	5NA854D1S31NR
1x HST 400W	E40	20.0	5NA854D1T30NR	5NA854D1T31NR
1x HST HIT-CE/S-od 100W	E40	16.2	5NA854D1N30NR	
1x HST HIT-CE/S-od 150W	E40	16.7	5NA854D1P30NR	

- please order mounting accessories separately
 - please order designation panel separately

Accessories (for details see page 7.19)

Article	Wt. (kg)	Order No.
mounting angle bracket, to the ceiling, stainless steel 1.4529	0.6	5NY86300X129
mounting angle bracket, to the ceiling, stainless steel 1.4571	0.6	5NY86300X171
description plate	0.1	5NY80000X0

TS 30F | TS 30S mounting accessories

**Mounting angle**

for tunnel luminaires with mounting straps at face ends | luminaire can be rotated for precise alignment by $\pm 30^\circ$ or $\pm 45^\circ$ to longitudinal axis (dependent upon luminaire type) | oblong holes and slot for hooking to pre-assembled fastening screws | mounting angle of stainless steel 1.4529 or 1.4571

Type	PU	Order No.
Mounting angle		
Stainless steel 1.4529	Set of 2	5NY86300X129
Stainless steel 1.4571	Set of 2	5NY86300X171

• 2 pieces required per luminaire

Type plate (not shown)

for precise naming and assignment of each luminaire | factory inscription according to customer specifications | base element of V4A; inscription plate fastened with 4 screws to base element | engraved inscription | mounting of type plate via fastening screws of luminaire

Type	Order No.
Type plate	5NY86300X0



TS 30L

The corrosion-resistant 1.4571 stainless steel housing and special sealing system protect the Siteco tunnel luminaires reliably against aggressive ambient conditions in tunnels, in underpasses and in special industrial areas, and also make them resistant to aggressive tunnel cleaning methods. The safety glass is fixed via 8 safety quick-release catches of corrosion-resistant stainless steel. These enable the cover to be simply and quickly opened on both sides along the longitudinal luminaire axis. The catches are secured via safety clips against unauthorised opening or falling down of the luminaire cover. All-round sealing makes the luminaire resistant against temperature, humidity and ageing. Precision specular optics ensure symmetrical light distribution with a high light output ratio. Efficient T26 lamps with ECG are available for the single and twin lamp versions. This luminaire fulfills nearly all international standards. The luminaire is optimal for a long, economical service life.

- + housing, mounting straps and safety quick-release catches of corrosion-resistant stainless steel, 1.4571/AISI 316Ti
- + etched and passivated surface (electropolished on request)
- + precision specular optics for symmetric and asymmetric light distribution with high light output ratio
- + profile sealing in luminaire housing
- + optical enclosure of toughened safety glass according to EN 12150-1
- + economic operation due to electronic ballast



Housing

Housing, safety quick-release catches and mounting accessories of corrosion-resistant stainless steel (1.4571/AISI 316Ti) | resistant to corrosion, largely unaffected by aggressive influences | cover panel of toughened safety glass according to EN 12150-1 | sealing on one level temperature-, humidity- and age-resistant against aggressive tunnel atmospheres | plastic cable glands for cable infeed of PA-V0 UL94 | cover can be opened on both sides, remains fixed to luminaire housing when folded down | luminaire with longitudinally welded mounting straps or with mounting elements at face ends | mounting at face ends via supplementary fixing accessories, luminaire alignment can be adjusted to $\pm 45^\circ$ to the longitudinal axis
 protection rating: IP65 | insulation class: I
 impact resistance: IK10

Electrics

Luminaire wired ready for connection | with 5-pole terminal, max 6mm² | 2x M32 cable entry for cables D= 18...25mm | with ECG | suitable for through-wiring from luminaire to luminaire

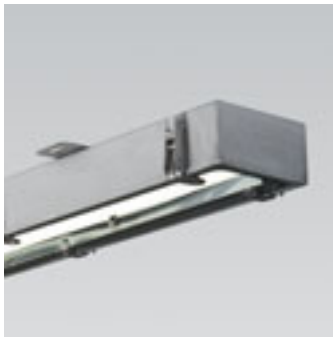
Lighting technology

Precision specular optics with high light output ratio

- direct symmetric wide distribution
- direct asymmetric wide distribution

Recommended application

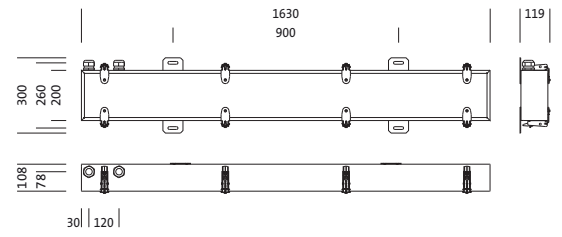
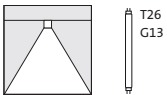
For continuous row mounting or as a single luminaire | especially suitable for visual guiding along driving routes, e.g. in areas with high traffic densities



TS 30L | for fluorescent lamps | cover without frame | symmetric distribution

TS 30L tunnel luminaire for surface-mounting, suspended mounting or fixing to tunnel substructure | with highly specular reflector, direct symmetrical distribution | with ECG | housing with mounting straps and cover catches of stainless steel 1.4571 (AS1316 Ti); sealing on one level; frameless cover of toughened safety glass

Protection rating: IP65
 Insulation class: I
 Impact resistance: IK10
 (luminaire with longitudinally welded mounting straps)



Lamps	Socket	Wt. (kg)	Order No.
tool-free relamping, with weldet brackets			
1x T26 58W	G13	14.3	5LA85471V70NW
2x T26 58W	G13	14.5	5LA85472V70NW

- please order designation panel separately

Accessories (for details see page 7.23)

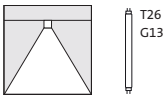
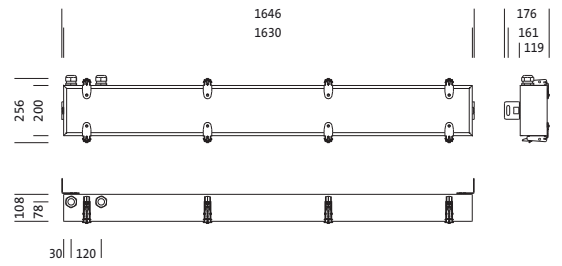
Article	Wt. (kg)	Order No.
description plate	0.1	5NY80000X1





TS 30L | for fluorescent lamps | cover without frame | symmetric distribution | rotatable housing

TL 30L tunnel luminaire for surface-mounting, suspended mounting or fixing to tunnel substructure, can be rotated +/-45° to the longitudinal axis | with highly specular reflector, direct symmetrical distribution | with ECG | housing with mounting straps at face ends and cover catches of stainless steel 1.4571 (AS1316 Ti); sealing on one level; frameless cover of toughened safety glass



T26
G13



Protection rating: IP65
Insulation class: I
Impact resistance: IK10



Lamps	Socket	Wt. (kg)	Order No.
tool-free relamping, for rotatable brackets (to order additional)			
1x T26 58W	G13	14.3	5LA85471V70NR
2x T26 58W	G13	14.5	5LA85472V70NR

- please order mounting accessories separately
- please order designation panel separately

Accessories (for details see page 7.23)

Article	Wt. (kg)	Order No.
mounting angle bracket, to the ceiling, stainless steel 1.4529	0.6	5NY86300X129
mounting angle bracket, to the ceiling, stainless steel 1.4571	0.6	5NY86300X171
description plate	0.1	5NY80000X1



TS 30L mounting accessories

**Mounting angle**

for tunnel luminaires with mounting straps at face ends | luminaire can be rotated for precise alignment by $\pm 30^\circ$ or $\pm 45^\circ$ to longitudinal axis (dependent upon luminaire type) | oblong holes and slot for hooking to pre-assembled fastening screws | mounting angle of stainless steel 1.4529 or 1.4571

Type	PU	Order No.
Mounting angle		
Stainless steel 1.4529	Set of 2	5NY86300X129
Stainless steel 1.4571	Set of 2	5NY86300X171

• 2 pieces required per luminaire

Type plate (not shown)

for precise naming and assignment of each luminaire | factory inscription according to customer specifications | printed plasticfoil to stick on the inner-side of the glasscover

Type	Order No.
Type plate	5NY80000X1



TI 10

The corrosion-resistant stainless steel housing and special sealing system of the bayonet mount protect the Siteco tunnel luminaire reliably against aggressive ambient conditions in tunnels, in underpasses and in special industrial areas. In addition the luminaire is thus also resistant to the usual tunnel cleaning methods. The tough frame for the safety glass / the frameless cover panel is reliably fixed to the housing with silicone.

The housing and separate gearbox are fixed with the special fixing accessory without tools to a 100 mm cable support (positioned on the mounting). The cable from the gearbox to the lamp socket and for mains connection is included in the scope of supply. The housing does not need to be opened for relamping. The gearbox is separate, outside the lamp compartment. This enables rapid replacement of the gearbox without use of tools. A wide variety of high-performance HST and HIT lamps are available for lamping as well as various optics. This enables the Siteco tunnel luminaire to be equipped with reflector technology that permits optimal applications in terms of energy and photometrics.

- + housing and glass support of corrosion-resistant stainless steel 1.4571/AISI 316Ti
- + precision specular optics for symmetric and asymmetric light distribution with high light output ratio
- + optical enclosure of toughened safety glass according to EN 12150-1
- + gear tray replaced without tools
- + etched and passivated surface (electropolished on request)



Housing

Housing and mounting accessories of corrosion-resistant stainless steel (1.4571/AISI 316Ti) | resistant to corrosion, largely unaffected by aggressive influences | cover panel of toughened safety glass according to EN 12150-1 | silicone sealing is temperature, humidity and age-resistant against aggressive tunnel conditions | plastic cable glands for cable infeed of PA-V0 UL94 | luminaire and separate gearbox with mounting elements for rapid tool-free mounting to suitable 100mm cable support system

protection rating: luminaire: IP66; gearbox: IP65
insulation class: II | impact resistance: IK09

Electrics

Luminaire incl. connection cable and separate gearbox | incl. connection cable FG7(O)M1 2x 1.5mm² for mains connection of gearbox (l= 1.1m) and from gearbox to lamp socket (l= 1.1m); mains connection via IEC 309 2P+T16A plug, plug connection to gearbox and pre-installed lamp socket with bayonet catch for securing to luminaire housing | luminaire connection and relamping without tools

Lighting technology

Precision specular optics with high light output ratio

- direct symmetric wide distribution
- direct asymmetric distribution

Recommended application

tunnel and tunnel-similar areas, to existing suitable cable support



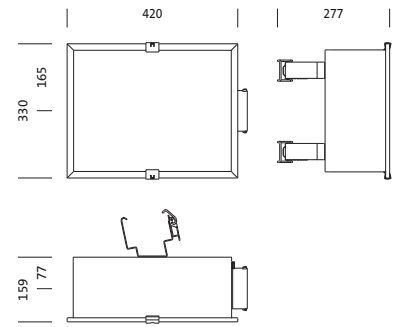
TI 10 | for high pressure discharge lamps | cover bonded to housing | symmetric distribution

TI 10 tunnel luminaire for suspended mounting to 100mm cable support system | direct symmetric distribution | incl. separate gearbox and connection cable*; relamping with bayonet catches* | housing with mounting straps of stainless steel 1.4571 (AISI316 Ti); cover panel of toughened safety glass (ESG)

Protection rating: luminaire: IP66 | gearbox: IP65
Insulation class: II

Impact resistance: IK09
(luminaire and gearbox with mounting elements for mounting to 100mm cable support system)

* connection cable for mains connection of gearbox (l= 1.1m) and from gearbox to lamp socket (l= 1.1m); mains connection via IEC 309 2P+T16A plug, plug connection to gearbox and pre-installed lamp socket (cable FG10(O)M1 2x 1.5mm²; l= 1.1m)



Lamps	Socket	Wt. (kg)	Order No.
1x HST 100/150W	E40	6.8	5NA85501P80N
1x HST 250W	E40	6.8	5NA85501S80N
1x HST 400W	E40	6.8	5NA85501U80N

- please order gearbox separately



Mandatory accessories (for details see page 7.27)

Article	Wt. (kg)	Order No.
LLCG, for 1x HST 100W	4.6	5NA855D1N0
LLCG, for 1x HST 150W	5.3	5NA855D1P0
LLCG, for 1x HST 250W	6.7	5NA855D1S0
LLCG, for 1x HST 400W	8.2	5NA855D1T0





TI 10 | for high pressure discharge lamps | cover bonded to housing | asymmetric distribution

TI 10 tunnel luminaire for suspended mounting to 100mm cable support system | direct asymmetric distribution | incl. separate gearbox; relamping with bayonet catches* | housing with mounting straps of stainless steel 1.4571 (AS1316 Ti); cover panel of toughened safety glass (ESG)

Protection rating: luminaire: IP66 | gearbox: IP65
Insulation class: II

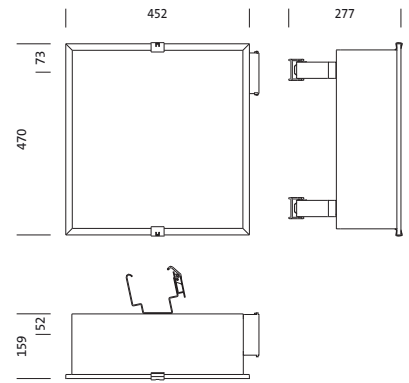
Impact resistance: IK09
(luminaire and gearbox with mounting elements for mounting to 100mm cable support system)

* lamp socket factory-wired with plug connection to gearbox (cable FG7(0)M1 2x 1.5mm²; l= 1m)



Lamps	Socket	Wt. (kg)	Order No.
1x HST 100/150W	E40	8.1	5NA85501P30N
1x HST 250W	E40	8.1	5NA85501S30N
1x HST 400W	E40	8.1	5NA85501U30N

- please order gearbox separately



Mandatory accessories (for details see page 7.27)

Article	Wt. (kg)	Order No.
LLCG, for 1x HST 100W	4.6	5NA855D1N0
LLCG, for 1x HST 150W	5.3	5NA855D1P0
LLCG, for 1x HST 250W	6.7	5NA855D1S0
LLCG, for 1x HST 400W	8.2	5NA855D1T0

TI 10 electrical accessories

**Ballast unit**

with mounting elements for mounting to 100mm cable support system | compact unit for operating lamp; with ballast, parallel power-factor corrected, and ignitor; with temperature safeguard | with plug connection for connection of mains and luminaire cable | mounting elements of 1.4571 stainless steel

Type	Wt. (kg)	Order No.
Ballast unit		
1x HST 100W	4.6	5NA855D1N0
1x HST 150W	5.3	5NA855D1P0
1x HST 250W	6.7	5NA855D1S0
1x HST 400W	8.2	5NA855D1T0

- please order ballast unit according to required lamp rating in addition to luminaire



TA 30

The diecast aluminium housing and special sealing system protect the Siteco tunnel luminaire reliably against aggressive ambient conditions in tunnels, in underpasses and in special industrial areas. In addition the luminaire is thus also resistant to the usual tunnel cleaning methods.

The safety glass or frameless cover panel is fixed via four stainless steel brackets. These enable the cover to be simply and quickly opened on both sides along the longitudinal luminaire axis. At the same time the luminaire cover is secured from falling down. The catches are secured against unauthorised opening via safety clips. The inner of the single lamp luminaire contains a gear tray, replaceable without tools. With the twin lamp version the gear tray is fixed to the housing. A wide variety of high-performance HST and HIT lamps are available for lamping as well as various optics. This enables the Siteco tunnel luminaire to be equipped with reflector technology that permits optimal applications in terms of energy and photometrics.

- + housing of AlSi12, frame of optical enclosure and safety catches of corrosion-resistant stainless steel
- + optical enclosure of toughened safety glass according to EN 12150-1
- + precision specular optics for symmetric and asymmetric light distribution with high light output ratio
- + profile sealing of especially durable material across one level in the cover frame ensures high protection rating
- + service and maintenance advantage due to 2-sided use of gear tray and tool-free replacement of gear tray
- + coated surface



Housing

Housing of of AlSi12 diecast aluminium, safety catches and mounting accessories of corrosion-resistant stainless steel | resistant to corrosion, largely unaffected by aggressive influences | cover panel of toughened safety glass according to EN 12150-1 | sealing on one level, temperature-, humidity- and age-resistant against aggressive tunnel atmospheres | plastic cable glands for cable infeed of PA-V0 UL94 | cover can be opened on both sides, remains fixed to luminaire housing when folded down | single-lamp gear tray with all electrical components can be folded out without tools and replaced with ease | housing with screw-fixed longitudinal mounting straps protection rating: IP66 | insulation class: I impact resistance: IK10

Electrics

Luminaires wired ready for connection | single lamp luminaire with 5-pole connection terminal, max. 10mm² | 2x M32 cable entry for cables D= 18...25mm | M25 fixed cover with blanking plugs | single lamp luminaire for reduced operation with 8-pole terminal

(5-pole + 3-pole for control signal), max. 10mm² 2x M32 cable entry for cables D= 18...25mm | 2 x M25 cable gland for cables D= 9...16mm | twin lamp luminaire for reduced operation with 14-pole terminal (2x 5-pole + 2x 2-pole for control signal), max. 10mm² | 4x M32 cable entry for cables D= 18...25mm with conv. ballast, with parallel p.f. correction (with mounted capacitor) | ballasts with thermal monitoring; ignitors with automatic power disconnection; reducing circuit with negative switching logic | suitable for through-wiring from luminaire to luminaire

Lighting technology

Precision specular optics with high light output ratio

- direct symmetric wide distribution
- direct asymmetric distribution

Recommended applications

Tunnels with low traffic loads, underpasses, industrial areas



**TA 30 | for high pressure discharge lamps | cover
without frame | symmetric distribution**

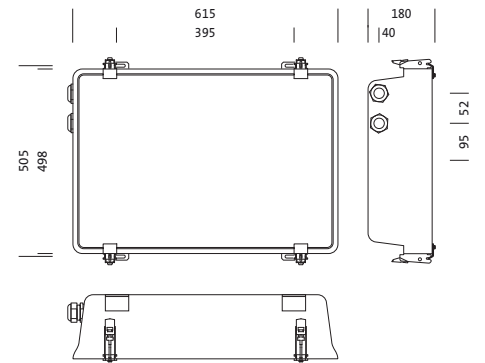
TA 30 tunnel luminaire for surface-mounting, suspended mounting or fixing to tunnel substructure | direct symmetric wide distribution | with conv. ballast, parallel p. f. corrected* | housing of ALSi12; catches of cover of V2A stainless steel; sealing on one level of silicone; frameless cover of toughened safety glass

Protection rating: IP66

Insulation class: I

Impact resistance: IK10

* luminaire with internal micro-fuse (T6,3A/250V)



Lamps	Socket	Wt. (kg)	Order No.	with Reduction circuit Order No.
symmetric distribution, with specular reflector, type 8				
1x HST 70W	E27	16.0	5TK874D1M80L	5TK874D1M81L
1x HST 100W	E40	16.3	5TK874D1N80L	5TK874D1N81L
1x HST 150W	E40	17.0	5TK874D1P80L	5TK874D1P81L
1x HST 250W	E40	18.4	5TK874D1S80L	5TK874D1S81L
1x HST 400W	E40	19.9	5TK874D1T80L	5TK874D1T81L
symmetric distribution, with specular reflector, type H				
1x HST 100W	E40	16.3	5TK874D1NH0L	5TK874D1NH1L
1x HST 150W	E40	17.0	5TK874D1PH0L	5TK874D1PH1L
1x HST 250W	E40	18.5	5TK874D1SH0L	5TK874D1SH1L
1x HST 400W	E40	19.9	5TK874D1TH0L	5TK874D1TH1L
symmetric distribution, with specular reflector, type S				
1x HST 100W	E40	15.9	5TK874D1NS0L	5TK874D1NS1L
1x HST 150W	E40	16.6	5TK874D1PS0L	5TK874D1PS1L
1x HST 250W	E40	18.1	5TK874D1SS0L	5TK874D1SS1L
1x HST 400W	E40	18.6	5TK874D1TS0L	5TK874D1TS1L

Delivery start: January 2012





TA 30 | for high pressure discharge lamps | cover without frame | asymmetric distribution

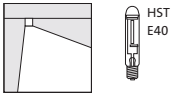
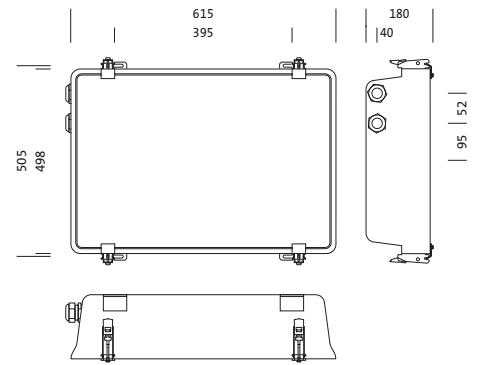
TA 30 tunnel luminaire for surface-mounting, suspended mounting or fixing to tunnel substructure | direct asymmetric wide distribution | with conv. ballast, parallel p. f. corrected* | housing of ALSI12; catches of cover of V2A stainless steel; sealing on one level of silicone; frameless cover of toughened safety glass

Protection rating: IP66

Insulation class: I

Impact resistance: IK10

* luminaire with internal micro-fuse (T6,3A/250V)



with Reduction circuit

Lamps	Socket	Wt. (kg)	Order No.	Order No.
asymmetric distribution, with specular reflector, type 3				
1x HST 100W	E40	15.9	5TK874D1N30L	5TK874D1N31L
1x HST 150W	E40	16.6	5TK874D1P30L	5TK874D1P31L
1x HST 250W	E40	18.0	5TK874D1S30L	5TK874D1S31L
1x HST 400W	E40	19.5	5TK874D1T30L	5TK874D1T31L
asymmetric distribution, with specular reflector, type A				
1x HST 100W	E40	15.8	5TK874D1NA0L	5TK874D1NA1L
1x HST 150W	E40	16.5	5TK874D1PA0L	5TK874D1PA1L
1x HST 250W	E40	17.9	5TK874D1SA0L	5TK874D1SA1L
1x HST 400W	E40	19.4	5TK874D1TA0L	5TK874D1TA1L

Delivery start: January 2012



TT 20S

High quality plastics and special sealing systems protect the Siteco tunnel luminaires reliably against aggressive ambient conditions in railway tunnels, underpasses and in special industrial areas. In addition the luminaire is thus also resistant to the usual tunnel cleaning methods.

The tunnel luminaire is optimised for T26 fluorescent lamps with ECG. The light is emitted into the space via a white reflector with wide distribution. Twisting the luminaire insert in the tube adjusts the beam angle to 0°, 45° or 90°. In this way the tunnel luminaire can be used to illuminate walls and areas near to walls.

- + Pressure and dynamic pressure inspection with pressure differences exceeding 58kPa, corresponding to a wind impact of 85m/s (comparable to a train passing at a speed of approx. 300km/h)
- + relamping via removal of end cap (loosening a hexagonal screw)
- + vibration-resistant according to EN 60598-2-3: suitable for high vibration loads (motorways, railway tunnels, bridges) | luminaire passed vibration test with 250,000 strikes (highly demanding) without recognisable damage
- + IP67 protection rating
- + mounting is possible via rapid mounting trunking rail for quick, tool-free replacement of luminaire
- + robust industry ECG



Housing

Housing of transparent PMMA tube; end caps of PA6, resistant to corrosion and largely unaffected by aggressive influences | sealing of silicone foam; temperature, humidity and age-resistant against aggressive ambient conditions | plastic cable glands for cable infeed of PA-V0 UL94 | face end opened on one side | protection rating: IP69 K* insulation class: I | impact resistance: IK06

*the IP69 K test according to DIN 40050/Part 9 aims to simulate high pressure cleaning conditions on a works level. It guarantees absolute tightness also in applications frequently subjected to cleaning processes.

Electrics

Luminaire wired ready for connection | incl. connection cable l= 2,0m; 3x 1.5mm² | FE 180 circuit integrity, IEC 60331-3-11 and -21, VDE 0473-814 | E 90 functional integrity, DIN VDE 4102-12 | with integrated micro-fuse | temperature range -30°...+70°C | overvoltage resistant to 320V AC / 1h | voltage peak-compatible (burst / surge) to 4kV | service life 100,000h at T_C= 65°C | incl. lamp, manufacture 'Aura', type Universal 840 (50,000h service life)

Lighting technology

White reflector, direct wide symmetrical distribution asymmetry by twisting luminaire insert in housing tube (0°, 45°, 90°); LDC remains symmetric

Recommended application

Applications with high vibration loads (motorways, railway tunnels, bridges, underpasses). Applications with high dynamic pressure differences (road tunnels, railway tunnels). Applications with frequent cleaning under high pressure cleaning conditions (commercial kitchens, food industry, car wash plants)



TT 20S | for fluorescent lamps | with transparent, tubular housing

TT 20S tunnel luminaire for ceiling or wall mounting or fixing to tunnel substructure, reflector can be mounted in the luminaire at an angle of 45°, 90° | with white reflector, symmetric wide distribution | with ECG | housing of PMMA, plastic end caps, catches of stainless steel; sealing of silicone foam

Protection rating: IP69

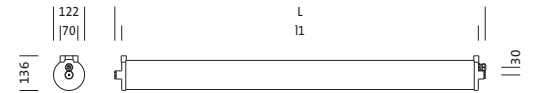
Insulation class: I

Impact resistance: IK06

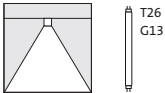
(incl. connection cable, l = 2.0m, 3x 1.5mm² | FE 180

circuit integrity, IEC 60331-3-11 and -21, VDE 0473-814

| E 90 functional integrity, DIN VDE 4102-12)



	L	l1
1xT26 36W	1376	1322
1xT26 58W	1676	1622



Lamps	Socket	Wt. (kg)	Order No.
1x T26 36W	G13	4.2	5LA84071R80N
1x T26 58W	G13	4.9	5LA84071V80N

- please order mounting accessories separately
- please order connection accessories separately if required

Accessories (for details see page 7.34 f.)

Article	Wt. (kg)	Order No.
female connector 10-14mm	0.1	5NY86300X214
female connector 13-18mm	0.1	5NY86300X218
plug connector 10-14mm	0.1	5NY86300X114
plug connector 13-18mm	0.1	5NY86300X118
T-connector	0.2	5NY86300X314
junction box	3.0	5NY86300XAB6
rapid mounting rail, to the wall, stainless steel 1.4571	0.9	5NY84000X171
mounting angle bracket, to the ceiling, to the wall, stainless steel 1.4571	0.6	5NY84000X271



TT 20S electrical accessories



Plug and socket system

for connection and through-wiring of tunnel luminaire with pre-installed connection cable* | plug and socket with locking | for cables with diameter D= 10...14mm or 13...18mm | for 0.75...4.0mm² wire cross-section
Protection rating: IP67

* luminaire for single arrangement: with one connection cable | luminaire for through-wiring: with two pre-installed connection cables

Type	Cable D (mm)	Order No.
Plug	10...14	5NY86300X214
Plug	13...18	5NY86300X218
Socket	10...14	5NY86300X114
Socket	10...14	5NY86300X118

• for luminaire with one connection cable please order a plug for D= 10...14mm if required
for luminaire with two connection cables please order a plug and socket for D= 10...14mm if required



T connector element

for connection of tunnel luminaire with installed system plug | connection element with one socket, 5-pole, and two cable inputs for manual wiring in connection element | for cables with cross-section D= 10...14mm | for wire cross-section 0.75...1.5mm²
Protection rating: IP67

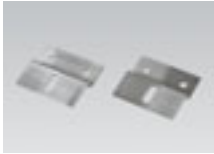
Type	Order No.
T connector element	5NY86300X314



Connection box

as branching element for pre-prepared cables | with one plug and three sockets, 5-pole | wired ready for connection
Protection rating: IP67

Type	Order No.
Connection box	5NY86300XAB6

TT 20S mounting accessories**Mounting angle**

for permanent mounting of luminaire to wall or ceiling | oblong holes for fastening screws | mounting angle of 1.4571 stainless steel

Type

Mounting angle

Order No.

5NY84000X271

• set of 2, 2 pieces required per luminaire

**Rapid mounting rail**

for mounting luminaire to walls | for tool-free replacement of luminaire; locking mechanism prevents unintentional loosening | consists of short mounting rail for wall fixing and mounting strap for mounting to luminaire | mounting elements of 1.4571 stainless steel

Type

Rapid mounting rail

Order No.

5NY84000X171

TV 10

Rough ambient conditions as found in tunnels, underpasses and challenging industrial environments demand especially robust and resistant luminaires. With the specification of maximum quality materials and components, the Siteco anti-vandal luminaire is able to ideally fulfill such requirements.

- + concealed mounting points
- + high impact-resistance (50J)
- + variable mounting distances
- + optical enclosure of impact-resistant polycarbonate
- + end caps of aluminium
- + concealed cable routing channel



Housing

Housing baseplate of extruded aluminium with integral cable routing channel; robust cover frame of diecast aluminium reaches all-round to the mounting surface | cover of impact-resistant PC | all-round silicone sealing | cable entry at face ends and cable duct concealed by the luminaire cover | cover with snap catch, secured with V2A screws

Electrics

Luminaires wired ready for connection | with 2-pole terminal, max. 2.5mm² | with ECG | cable infeed concealed at face end by the luminaire cover | through-wiring for continuous row mounting either above luminaires with sheathed cable D= 12mm (e.g. NYM 5x 1.5mm²) or luminaires incl. 2x 2.5mm² through-wiring as standard

Lighting technology

Prismatic diffuser with inner prism optics and matt anodised aluminium reflector, for direct wide distribution





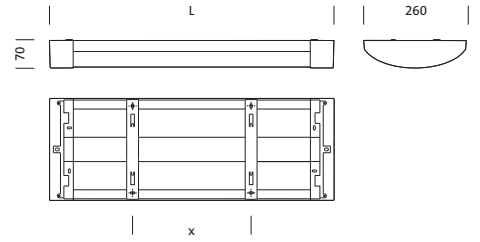
TV 10 | Einzelleuchte für Unterführungen, Tiefgaragen, Wartehäuschen und Tribünenbereiche | Antivandalenleuchte

TV 10 individual luminaire for ceiling surface-mounting | direct symmetric distribution | with ECG | housing baseplate of extruded aluminium; cover of diecast aluminium, Siteco® metallic grey (DB 702S) with cover panel of impact-resistant PC

Protection rating: IP65

Insulation class: II

Impact resistance: 2x IK10



	L	x
5LA86...J	1261	700 - 1090
5LA86...X	1561	900 - 1390
5LA86...C	1315	700 - 1140
5LA86...E	1615	900 - 1440



Lamps	Socket	Wt. (kg)	ECG Order No.
T16			
1x T16 54W	G5	7.6	5LA86071J
1x T16 80W	G5	8.6	5LA86071X
2x T16 54W	G5	7.5	5LA86072J
2x T16 80W	G5	8.8	5LA86072X
T16, with thr. wiring 2 x 2.5mm²			
1x T16 54W	G5	6.3	5LA86271J
1x T16 80W	G5	8.9	5LA86271X
2x T16 54W	G5	6.5	5LA86272J
2x T16 80W	G5	9.3	5LA86272X
T26			
1x T26 36W	G13	7.6	5LA86071C
1x T26 58W	G13	8.6	5LA86071E
2x T26 36W	G13	7.6	5LA86072C
2x T26 58W	G13	9.3	5LA86072E
T26, with thr. wiring 2 x 2.5mm²			
1x T26 36W	G13	7.2	5LA86271C
1x T26 58W	G13	9.5	5LA86271E
2x T26 36W	G13	7.9	5LA86272C
2x T26 58W	G13	10.1	5LA86272E

5LA86071E

1 x T26 58W/840 φ 5000 lm

